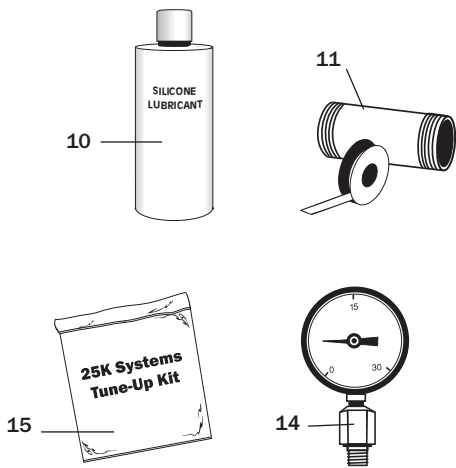
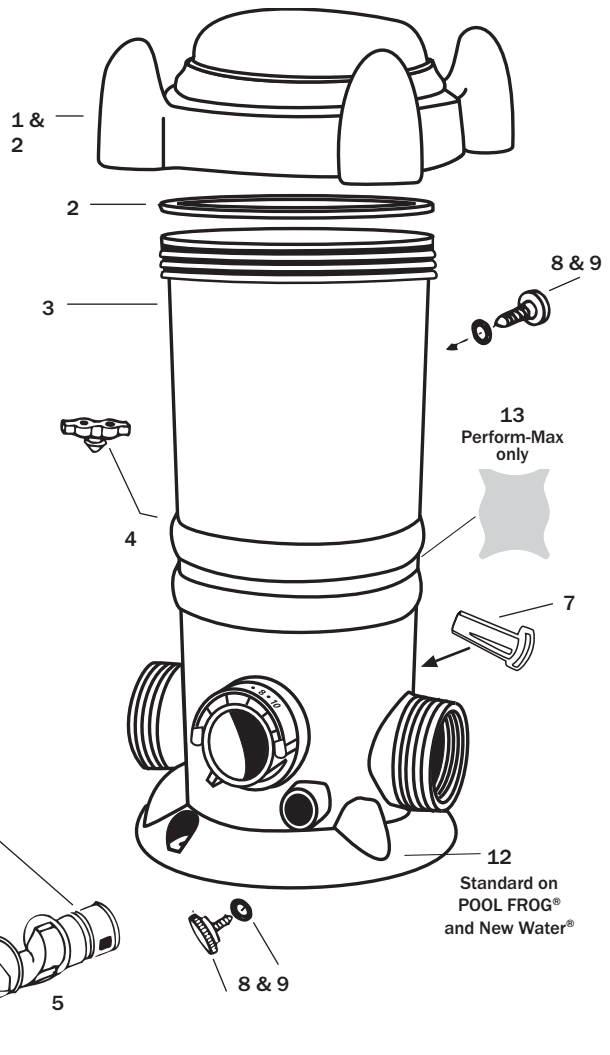


# 25K Systems DIAGRAM / PARTS LIST

POOL FROG® 6100  
 POOL FROG® Twin  
 FROG LEAP® Infuzer  
 FROG LEAP® Twin  
 New Water® 120  
 AQUA SMARTE Plus®  
 Perform-Max 920



REF #	PART #	DESCRIPTION
1 & 2	<b>01-22-1417</b> Pool Frog 6100 Pool Frog Twin Mineral Cyclers	Cap w/O-Ring
	<b>01-22-1410</b> Pool Frog Twin Chlorine Cyclers Frog Leap Twin Chlorine Cyclers New Water 120	Cap w/O-Ring
	<b>01-22-1416</b> Frog Leap Infuzer	Cap w/O-Ring
	<b>01-22-1413</b> Frog Leap Twin Mineral Cyclers	Cap w/O-Ring
	<b>01-22-1414</b> AQUA SMARTE Plus	Cap w/O-Ring
	<b>01-22-1418</b> Perform-Max 920	Cap w/O-Ring
2	<b>01-22-1920</b>	Cap O-Ring
3	N/A	Body
4	<b>01-22-9486</b>	Pressure Relief Valve

REF #	PART #	DESCRIPTION
5, 6 & 7	<b>01-22-1443</b> New Water 120 Perform-Max 920	Control Dial Assembly
	<b>01-22-1452</b> Pool Frog 6100 Pool Frog Twin	Control Dial Assembly
	<b>01-22-1457</b> Frog Leap Infuzer Frog Leap Twin AQUA SMARTE Plus	Control Dial Assembly
6	<b>01-22-1456</b>	Control Dial O-Ring Set
7	N/A	Control Dial Locking Pin
8 & 9	<b>01-22-9946</b>	Knob w/O-Ring
10	<b>01-22-9971</b>	Silicone Lubricant
11	<b>01-22-1710</b>	Nipple Installation Kit
12	<b>01-22-1480</b>	Mounting Base
13	<b>01-22-9660</b>	Screen
14	<b>01-22-4000</b>	Pressure Gauge
15	<b>01-22-1470</b>	25K Tune-Up Kit

**Discontinued Cyclers**  
**100, 130, 200, 910,**  
**930, 5100 and 5200**

**01-22-1440 Control Dial Assembly must be ordered for these models**

**TUNE-UP KIT INCLUDES:**  
 Silicone Lubricant,  
 Control Dial O-Ring Set,  
 Knob w/O-Ring  
 and Cap O-Ring